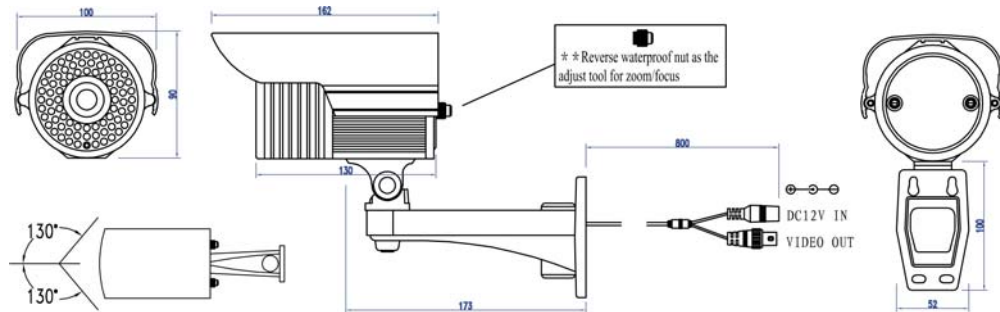


Weatherproof Varifocal IR Color Camera

● ITEM No: INS-840V



● Caution for Installation

1. In order to prevent electronic shock, don't loosen any screws or covers.
2. Do not directly touch the front glass. If necessary, use a soft cloth moistened with alcohol to wipe off the dust.
3. Avoid places where there are frequent vibrations or shocks.
4. Don't operate the camera beyond its temperature, power source ratings.
5. When any abnormalities happen, make sure to unplug the camera and contact your local dealer.

● Packing

- | | |
|---------------------------|----|
| 1. Camera | X1 |
| 2. User Manual | X1 |
| 3. Screw | X4 |
| 4. Plastic-Conical-Anchor | X4 |
| 5. Mounting drawing paper | X1 |
| 6. Hexagonal Wrench | X1 |

● Specification

ITEM	INS-840V
Type	Color/Monochrome (Removable IR Cut Filter)
Signal System	PAL
Pick Up Device	1/3" Sony Color High Resolution CCD
Picture Elements	PAL:795Hx596V
Resolution	520TVL
Min Illumination	0Lux (76 Pieces IR LED ON)
Vertical Frequency	PAL:50Hz
Horizontal Frequency	PAL:15.625KHz
Clock Frequency	PAL:28.375MHz
Scanning System	2:1 Interlace
S/N Ratio	≥50dB
Electronic Shutter	PAL:1/50-1/100,000s
Lens	3.5-8mm Varifocal Fixed Iris Lens
White Balance	AUTO Tracking
Back Light	ON
Auto Gain Control	ON
GAMMA	0.45
Video Out-put	1V p-p,75 Ω
Power Supply	DC12V ±10%
Current Consumption	650mA(Max)
IR Effect Distance	40~45m (Outdoor)
Dimension	162x100x90mm
Weight	1330g
Storage Temperature	-30~+60°C
Operating Temperature	-30~+40°C

Remark: Non-regulative adaptor may cause camera damaged.